

CASTON III PLUS

Crane Scale

TOTAL WEIGHING SOLUTION™

INDUSTRIAL WEIGHING SOLUTION™

SPECIFICATIONS

Model	CASTON III™					
Max.capacity (kg)	2,000	3,000	5,000	10,000	15,000	20,000
Readability (kg)	1	1	2	5	10	10
Display type	5 digits LED(1.5 inch)					
Operating temperature	-10°C~+40°C					
Power source	DC 12V Rechargeable battery					
Power Consumption	1.2 ~ 2.4W					
Display lamp	ZERO, TARE, HOLD, LOW BATTERY LAMP					
Battery operating time(continuous)	40 HOURS					
Battery chrging time	8 HOURS					
Options	Sun visor, Bluetooth communication,TWN					
Product weight (kg)	28	28	31	44	53	76

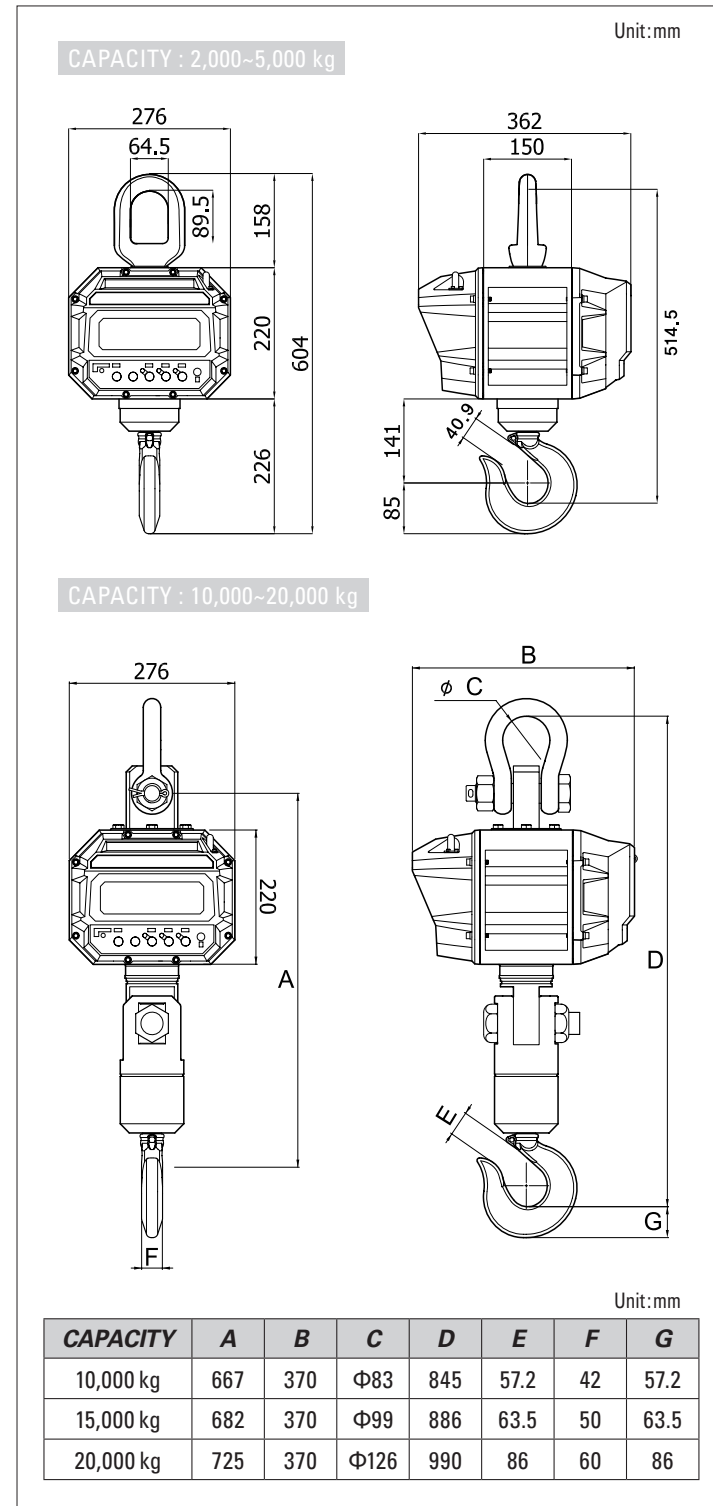
FEATURES

- 1.5 inch high visibility LED display
- Rugged enclosure suitable for rough environment
- Watertight structure, protect against moisture and dust
- High accuracy up to +/-0.03% of capacity
- Infrared remote controller (for up to 8m)
- Easy to change a battery pack
- Low battery status lamp
- Auto power off, sleep mode, hold functions
- Swivel Hook

OPTIONS

- Sun visor
- Bluetooth communication
- TWN(Portable handheld indicator)

DIMENSIONS



High-visibility LED display



Rugged enclosure



Swivel hook

CASTON III PLUS

Crane Scale

Fully featured high capacity crane scale, CASTON III PLUS is ideal for heavy duty application in rough industrial environment via rugged and watertight structure. Convenient, safe and high accuracy with a high-visibility LED display, easy install and recharging of battery pack, swivel hook and wireless remote control. Optional TWN portable handheld indicator.



CAS

CAS BLDG., # 440-1, SUNGNAE-DONG,
GANGDONG-GU, SEOUL, KOREA
TEL_ 82 2 2225 3500
FAX_ 82 2 475 4668

<http://www.globalcas.com>

Specifications are subject to change for improvement without prior notice.

CAS

CASTON III^{PLUS}

Crane Scale

Hardware

Rugged & watertight structure

Built to withstand rugged, moist and dusty environments. Ideal for indoor & outdoor heavy industrial applications such as Metal Work, Recycling & Waste Industry and Transport & Logistics.

SUN VISOR(Optional)

Optional Sun Visor guarantees the legibility of the display while outdoors.

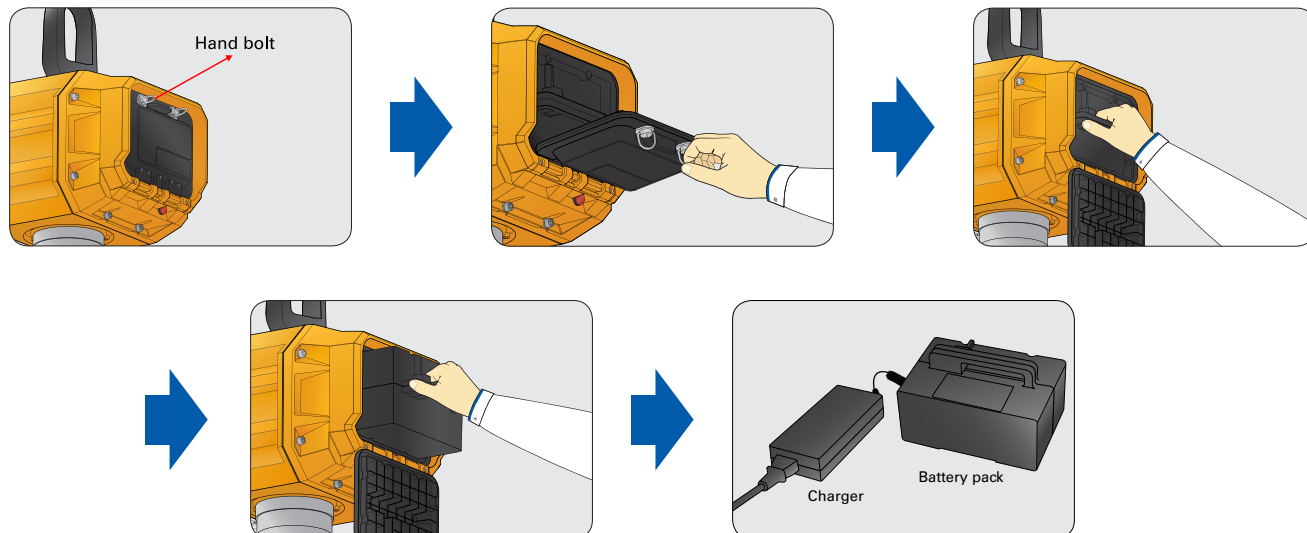
Remote cotroller

Standard wireless remote controller. Functions: Power On/Off, Zero, Tare, Hold, Clear, Sum.



Easy to change battery pack

Easily access the rechargeable battery pack by hand for recharging and re-installing.



Linkable with TWN(Optional)

Can be used with the Optional TWN Portable Hand Held Indicator via Bluetooth. TWN offers greater control over functions while viewing the weight.



High-Visibility LED Display

The LED display's downward tilt and large characters (Height: 1.5"), provides the user with a clear and easy to read weigh value.

Swivel hook

The Swivel Hook offers 360° movement while weighing. Increases safety, accuracy and repeatability.

TWN

Portable Handheld Indicator

As a portable handheld indicator, the TWN can also be used with a car cradle or placed on a desk or a table using a stand.



Data storage

Available to store 100EA of Items & 5,000 weight data including date, time and gross weight to be printed

TFT LCD Display with Alphanumeric & Function keypad

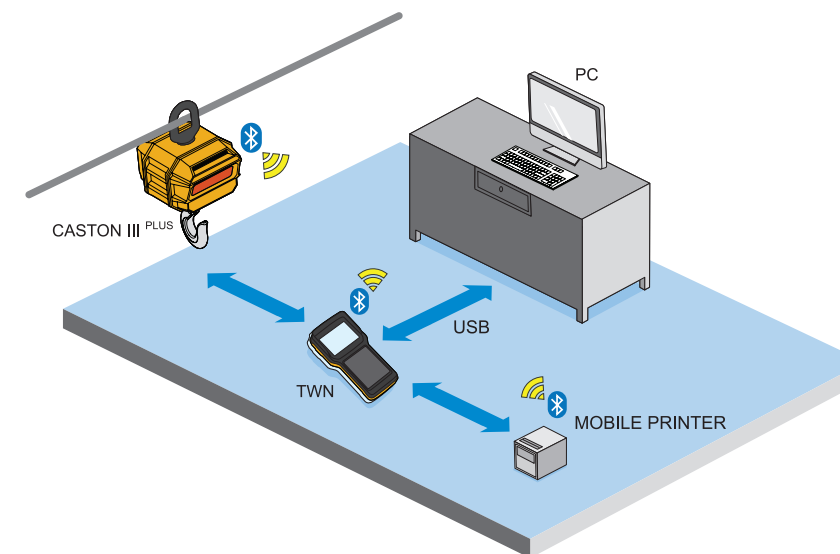
Providing flexibility and easy function control with the use of an Alphanumeric & Function keypad. The high contrast TFT LCD display along with the screen visor allows the user to view the weight with little obstruction.



FEATURES

- Compact size and handheld type
- TFT LCD display with screen visor
- USB communication to PC
- Memory capacity of 100 items & 5000 recorded 'weight' data ; including date, time and gross weight all of which can be printed.

CASTON III^{PLUS} CONNECTION



- Control and view the CASTON III^{PLUS} weight reading wirelessly using the TWN. (CASTON III^{PLUS} ↔ TWN)
- Connect to a wireless bluetooth printer for printing data. (TWN ↔ MOBILE PRINTER)
- Connect the TWN to a PC via USB to upload/download Weighing Data, Item No., Item Name, Header Text (for printing) (TWN ↔ PC)



▲ Environments